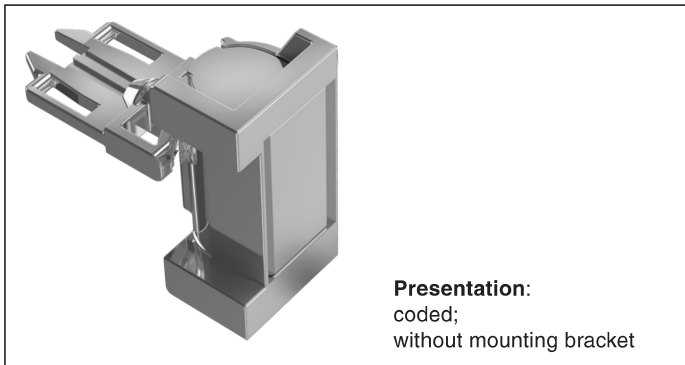


SAFEMASTER STS Safety Switch- And Key Interlock System Actuator STS-J



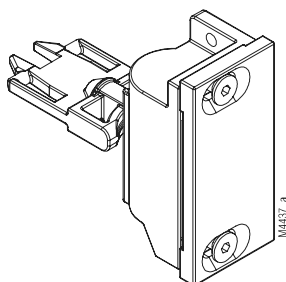
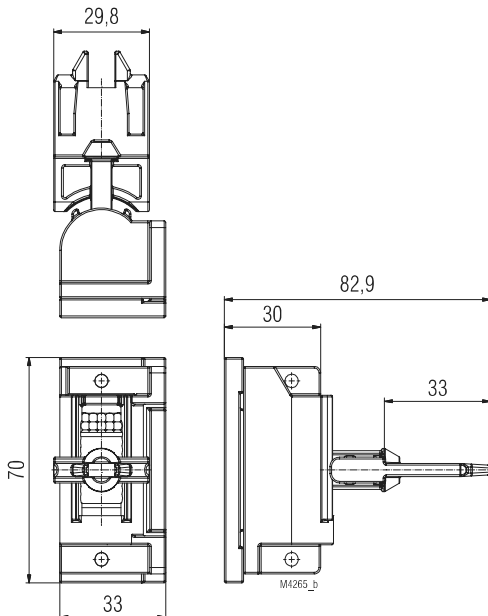
STS-System Benefits

- TÜV certificate according to the legal and standard requirements
- For safety applications up to PLe/Category 4 according to EN/ISO 13849-1
- Modular and expandable system
- Rugged stainless steel design
- Wireless mechanical safeguarding
- Combines the benefits of safety switch, locking module and key transfer in a single system
- Easy installation through comprehensive accessories
- Protection against lock-in

Features STS-J

- Actuator with 4 degrees of flexibility
- Mounting bracket included
- Retains its last position
- Can be coded
- Self-adjusting
- Simple manual setting
- Manual adjustment of vertical offset during operation up to 16 mm

Dimensional Drawing [mm]



Approvals and Marking



Application

The self-adjusting actuator STS-J is used in connection with the SAFEMASTER STS units which are equipped with integrated actuator modules A, B, D, E or K. Generally, it is fitted to the movable part of a separating guard and is used to switch the associated STS unit.

Design and Operation

The self-adjusting actuator STS-J is suitable for difficult applications where actuator C or a sliding bolt cannot be used. In addition to the self-adjustment the actuator STS-J has the added advantage, compared to the STS-C actuator, that it retains its last position when removed from the actuator module. By contrast, the STS-C actuator springs back to its set position. 4 mounting holes are provided for fastening the STS-J actuator. An installation bracket is included in the scope of delivery especially for applications with sliding doors.

Notes

Attention!



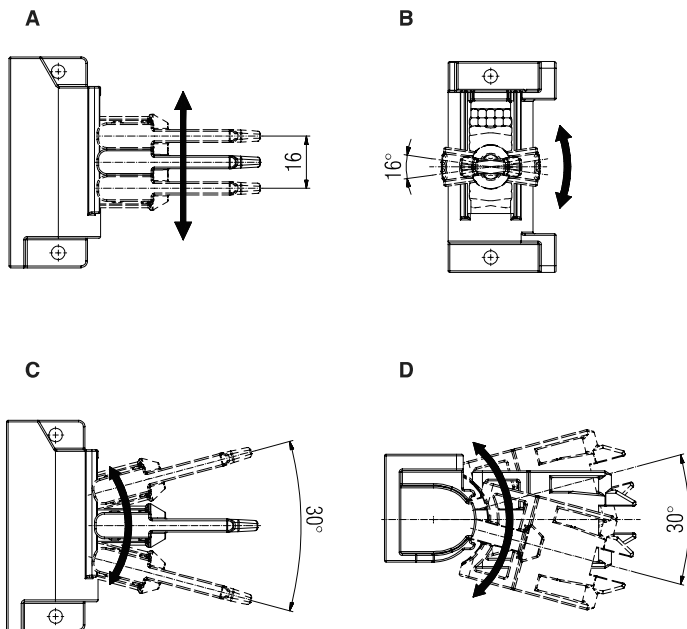
Actuator STS-J may not be used if there is a risk of overloading the associated STS unit through possible use of force!

Such an example is a manually operated sliding door, the protection of which is achieved by an STS unit with a key module above the actuator module, for instance, STS-SXB01M. If the door is closed here by force while the key is still removed, the actuator module STS-B remains blocked. It may therefore sustain mechanical damage when slamming the door shut with force.

Recommendation:

We therefore recommend the STS-C or STS-CS actuator for applications with the risk of overload.

Presentation of Degrees of Flexibility



Presentation without mounting bracket

Optimal flexibility

Actuator STS-J has 4 degrees of flexibility. From its centre position it can be

- moved vertically by ± 8 mm (A)
- rotated around its longitudinal axis by up to $\pm 8^\circ$ (B)
- swivelled vertically by $\pm 15^\circ$ (C)
- swivelled horizontally by $\pm 15^\circ$ (D)

Variants and Accessories

The self-adjusting actuator STS-J is also available as coded version. The product designation of the J-actuator then becomes JK-actuator.

Refer to the customer information for additional details on selecting the actuator.

Ordering Designation

Actuator STS-J
Article number: 0062732