

MINISTART Softstarter With DC-Brake BI 9028



0239392



BI 9028 up to 7.5 kW



BI 9028 bis 15 kW

Your Advantages

- Softstart and brake in one unit
- Easy wiring
- Space saving

Features

- According to IEC/EN 60 947-4-2
- 2-phase motor control
- For motors up to 15 kW at 3 AC 400 V
- Separate settings for start and brake time, as well as starting and braking torque
- Galvanic isolation of control input with wide voltage range up to AC/DC 230 V
- No external motor or braking contactor necessary
- 3 auxiliary voltages up to 230 V
- monitors undervoltage and phase sequence
- 2 relay outputs for indication of status and fault
- LED-indication
- As option without auxiliary supply
- As option with voltfree contacts for start and stop
- As option with input to detect motor temperature
- BI 9028 up to 7.5 kW: 67.5 mm width
- BI 9028 up to 15 kW: 90 mm width

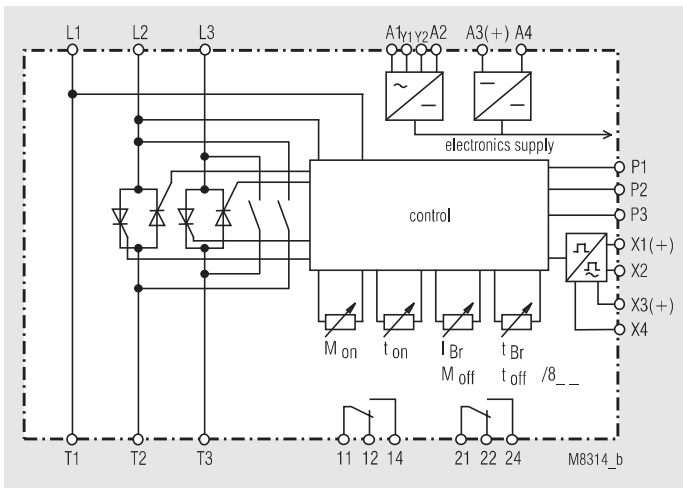
Approvals and Marking



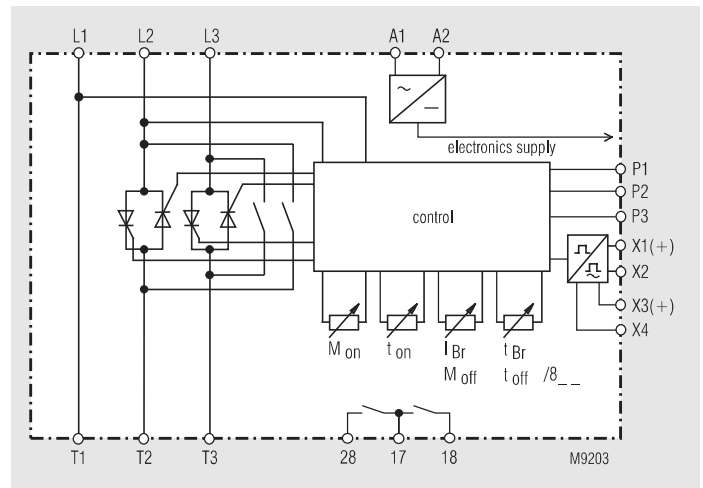
Applications

- Motor with gear, belt or chain drive
- Fans, pumps, conveyor systems, compressors
- Woodworking machines, centrifuges
- Packing machines, door-drives

Block Diagrams

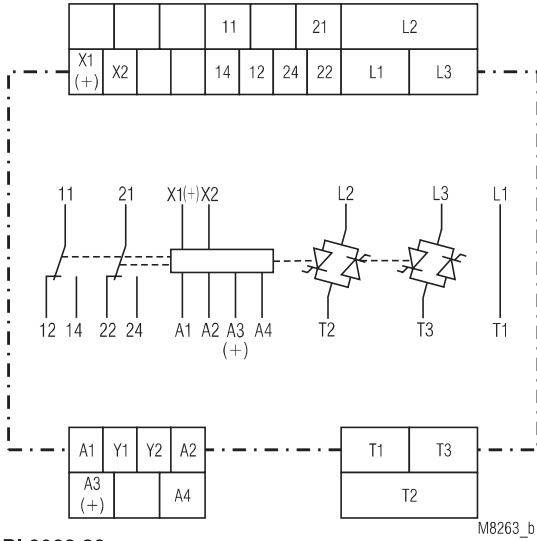


BI 9028 up to 15 kW

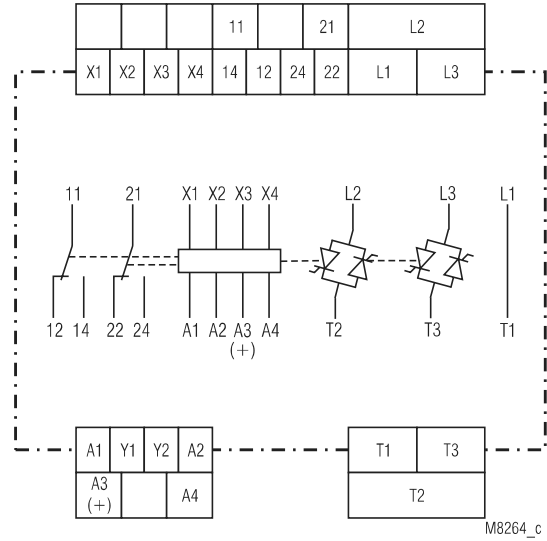


BI 9028 up to 15 kW, $U_H = AC 400 V$

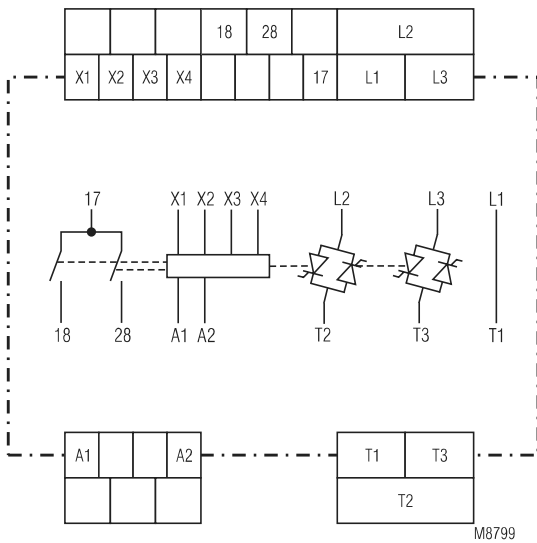
Circuit Diagrams



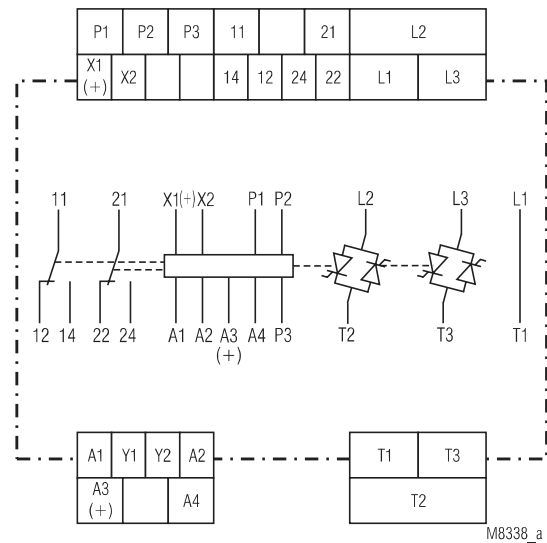
BI 9028.38



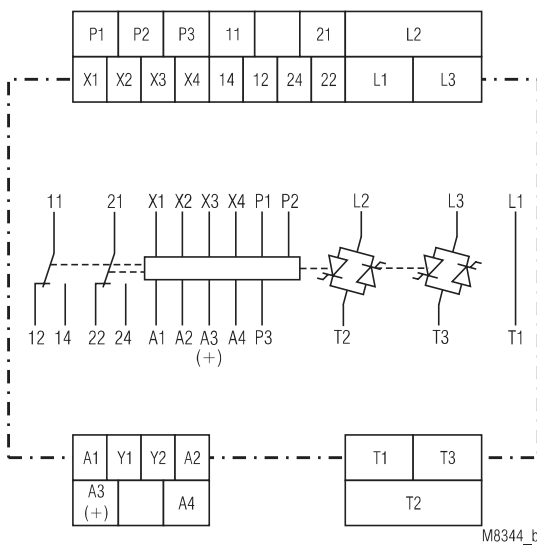
BI 9028.38/001



BI 9028.38/001, UH = AC 400 V

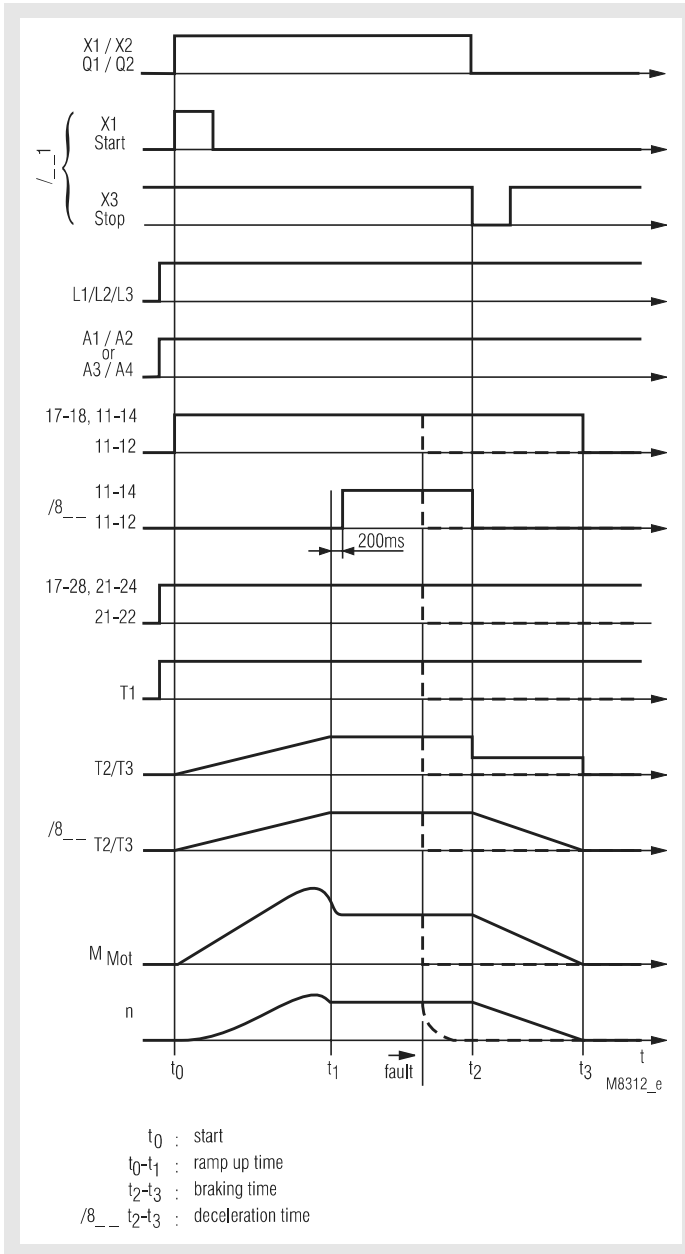


BI 9028.38/010

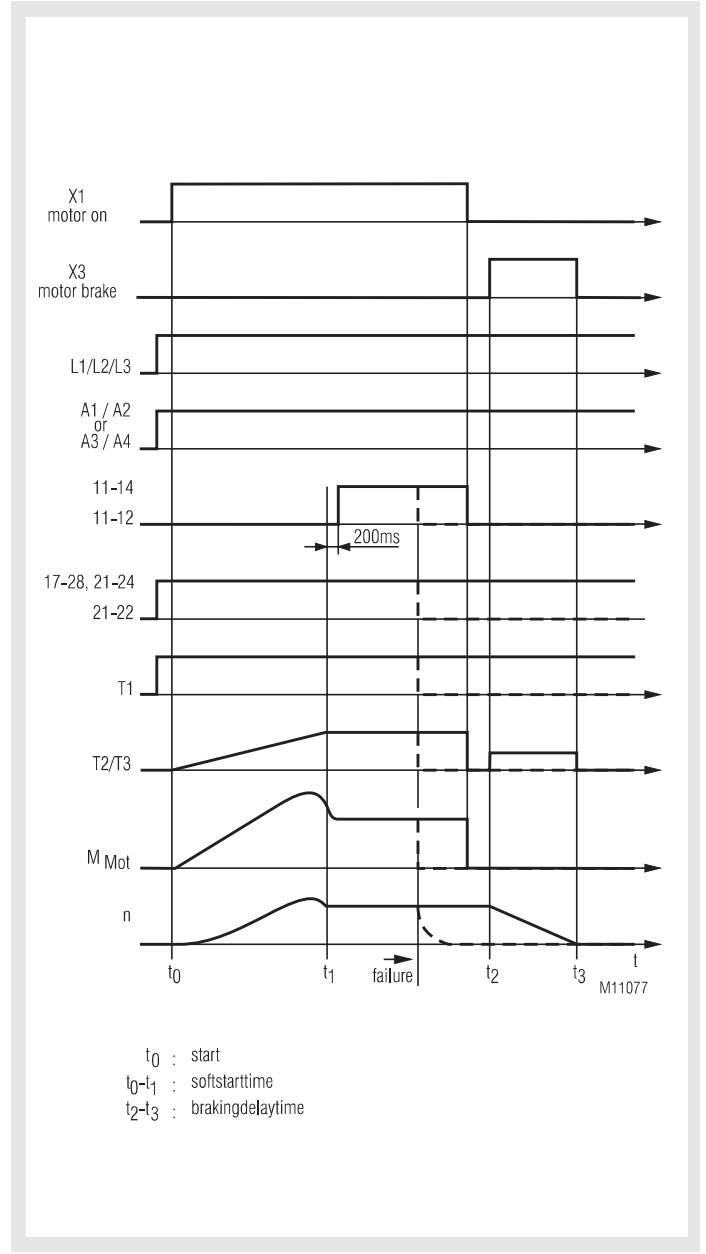


BI 9028.38/011

Function Diagrams



BI 9028.38/_ _1



BI 9028.38/5_ _

Function

Softstarters are electronic devices designed to enable 1-phase or 3-phase induction motors to start smoothly. The devices slowly ramps up the current on two phases, therefore allowing the motor torque to build up slowly. This reduces the mechanical stress on the machine and prevents damage to conveyed material.

These features allow cost saving constructions of mechanical gear. External motor or brake contactors are not necessary.

Start/Stop switch

When the motor is on full speed after the starting with start/stop switch S the semiconductors are bridged with internal relay contacts to prevent internal power losses and heat built up.

When stopping the motor via start/stop switch S braking is started. The braking current flows for the adjusted time through the motor windings.

On variant /_1 the start and stop function is realised via bush buttons.

On variant /5_ the softstart and brake function are separate switching via control input X1, X3.

Monitoring relay 1 (contact 11-12-14 / 17-18)

The relay energises with the start command and de-energises after finish of braking. When a fault occurs the relay de-energises when the semiconductors switch off. The monitoring relay 1 can be used to activate a mechanical holding brake. With the variant BI 9028/8_ and BI 9028/5_ the relay switches when the semiconductors are bridged.

Monitoring relay 2 (contact 21-22-24 / 17-28)

This relay energises as soon as the unit is ready for operation after connecting it to power. On internal overtemperature, phase failure, wrong phase sequence and overtemperature on the motor (variant BI 9028/_1_) the relay 2 de-energises. The power semiconductors are switched off. The internal temperature monitoring protects the thyristors. The temperature monitoring of the motor (variant BI 9028/_1_) has an input for a bimetallic contact or PTCs. The fault is reset by disconnecting the power supply temporarily after the temperature is down again.

Phase failure and phase sequence monitoring protect motor and plant. The fault is reset by disconnecting the power supply temporarily.

Input P₁ / P₂ / P₃ to monitor the motor temperature on variant BI 9028/_1_

To monitor overtemperature on the motor a bimetallic contact can be connected to P₂/P₃. When overtemperature is detected the power semiconductors switch off and relay 2 de-energises.

On P₁ / P₂ up to 6 PTC sensors can be connected. On detection of overtemperature, short circuit or broken wire (in sensor circuit) the power semiconductors switch off and relay 1 + 2 de-energise.

The fault is reset by disconnecting the power supply temporarily after the temperature on the motor is down again. After every reset the unit has to be started again via control input or start/stop button.

Indication

green LED: Continuous light: when auxiliary supply connected
Flashing light: while starting and braking

Monitoring relay 1

yellow LED: Continuous light: when contact 11-12-14 / 17-18 switched on

Monitoring relay 2

yellow LED: Continuous light: when contact 21-22-24 / 17-28 switched on
Flashing light: when contact 21-22-24 / 17-28 switched off

- 1*): overtemperature on thyristor (internal)
- 2*): overtemperature on motor or broken wire in sensor circuit P₁/P₂ variant /01_
- 3*): short circuit on sensor circuit P₁/P₂ variant /01_
- 4*): phase failure
- 5*): incorrect phase sequence, exchange connections on L1 and L2
- 6*): incorrect frequency
- 7*): heat sink temperature sensor defective
- 8*): braking time exceeded

1-8*) = Number of flashing pulses in short sequence

Notes

Variation of speed is not possible with this device. Without load a softstart cannot be achieved. It is recommended that the softstart is protected by superfast semiconductor fuses rated as per the current rating of the softstart or motor. However, standard line and motor protection is acceptable, but for high starting frequencies motor winding temperature monitoring is recommended. The softstarter must not be operated with capacitive load e.g. power factor compensation on the output.

The current in the 3 phases is different due to 2-phase control. To avoid false tripping of the motor overload it is recommended to select a suitable overload for this application.

In respect to safety of persons and plant only qualified staff is allowed to work on this device.

Technical Data

Phase / motor

voltage L1/L2/L3

with auxiliary voltage: 3 AC 200 V -10 % ... 480V + 10 %

without auxiliary voltage: 3 AC 200 V ± 10 %

Nominal frequency: 50 / 60 Hz

	Width		
	67.5 mm	90 mm	90 mm
Nominal motor power P _N at 400 V:	7.5 kW	11 kW	15 kW
Switching frequency at 3 x I _N , 5 s, v _u = 20°C:	10 / h	45 / h	30 / h
permissible braking current	35 A	50 A	65 A

Min. motor power: approx. 0.1 P_N

Start torque: 20 ... 80 %

Ramp time: 1 ... 20 s

Braking time: 1 ... 20 s

Braking delay: 0.5 s

Deceleration torque

BI 9028/8_ : 20 ... 80 %

Deceleration time

BI 9028/8_ : 1 ... 20 s

Recovery time: 200 ms

Auxiliary voltage:

Model AC 115/230 V:

A1/A2, AC 115 V, +10%, -15%: bridge A1 - Y1

bridge A2 - Y2

A1/A2, AC 230 V, +10%, -15%: bridge Y1 - Y2

A3(+)/A4, DC 24 V, +10%, -15%: polarity protected

Model AC 400 V:

A1/A2, AC 400 V, +10%, -15%: no bridge

Power consumption: 3 W

Residual ripple max.: 5 %

Max. semiconductor fuse

BI 9028 / 7.5 kW: 1800 A² s

BI 9028 / 11 kW: 6600 A² s

Inputs

Control input X1/X2

voltage: AC/DC 24 - 230 V

Softstart when: > 20 V

Braking when: < 5 V

BI 9028/0_1:

Control input X1/X4, X3/X4: volt free contact

alternative

Control input X1/X2, X3/X2

Voltage: AC/DC 24 V

Softstart when: > 15 V

Braking when: < 5 V

Control input Q1/Q2: volt free contact

Switching current: DC 10 mA

Switching voltage: DC 24 V

Input P₂ / P₃ for bimetallic contact

Current: approx. 1 mA (= switch closed)

Voltage: approx. 5 V (= switch open)

Input P₁ / P₂ for PTC-sensor

Temperature sensor: according to DIN 44081/082

Number of sensors: 1 ... 6 in series

Response value: 3.2 ... 3.8 kΩ

Reset value: 1.5 ... 1.8 kΩ

Load in measuring circuit: < 5 mW (at R = 1.5 kΩ)

Broken wire detection: > 3.1 kΩ

Technical Data	
Measuring voltage:	≤ 2 V (at R = 1.5 kΩ)
Measuring current:	≤ 1 mA (at R = 1.5 kΩ)
Voltage, when broken wire in sensor circuit:	DC approx. 5 V
Current, when short circuit in sensor circuit:	DC approx. 0.5 mA
Monitoring Output	
Contacts	
BI 9028.38:	2 x 1 changeover contacts
BI 90.28.38 (U _H = AC 400 V):	2 x 1 NO contacts
Thermal continuous current I_m:	4 A
Switching capacity	
to AC 15	
NO contact:	3 A / 230 V IEC/EN 60 947-5-1
NC contact:	1 A / 230 V IEC/EN 60 947-5-1
Electrical life:	
to AC 15 at 3 A, AC 230 V: 2 x 10 ⁵ switching cycles	
Short circuit strength max. fuse rating:	
	4 A gL IEC/EN 60 947-5-1

General Data	
Temperature range:	0 ... + 45 °C
Storage temperature:	- 25 ... + 75 °C
Clearance and creepage distances	
rated impuls voltage / pollution degree	
Control voltage to auxiliary voltage, motor voltage:	
Auxiliary to motor voltage:	6 kV / 2 IEC 60 664-1
EMC	
Electrostatic discharge:	8 kV (air) IEC/EN 61 000-4-2
HF-irradiation:	10 V/m IEC/EN 61 000-4-3
Fast transients:	4 kV IEC/EN 61 000-4-4
Surge voltages between	
wire for power supply:	1 kV IEC/EN 61 000-4-5
between wire and ground:	2 kV IEC/EN 61 000-4-5
Degree of protection	
Housing:	IP 40 IEC/EN 60 529
Terminals:	IP 20 IEC/EN 60 529
Vibration resistance:	
Amplitude 0,35 mm IEC/EN 60 068-2-6	
frequency: 10 ... 55 Hz	
0 / 055 / 04 IEC/EN 60 068-1	
Climate resistance:	
Wire connection	
Load terminals:	
	1 x 10 mm ² solid
	1 x 6 mm ² stranded ferruled
Control terminals:	1 x 4 mm ² solid or
	1 x 2,5 mm ² stranded ferruled (isolated) or
	2 x 1,5 mm ² stranded ferruled (isolated)
	DIN 46 228-1/-2/-3/-4 or
	2 x 2,5 mm ² stranded ferruled
	DIN 46 228-1/-2/-3
Wire fixing	
Load terminals:	
	Plus-minus terminal screws M4
	box terminals with wire protection
Control terminals:	Plus-minus terminal screws M4
	box terminals with wire protection
Mounting:	DIN rail mounting IEC/EN 60 715
Weight:	
Width 67.5 mm:	630 g
Width 90 mm:	780 g

Dimensions	
Width x height x depth:	
BI 9028 up to 7.5 kW:	67.5 x 85 x 121 mm
BI 9028 up to 15 kW:	90 x 85 x 121 mm

Standard type	
BI 9028.38	3 AC 200 ... 480 V 50/60 Hz 7.5 kW
Article number:	0054984
• Motor voltage:	3 AC 200 ... 480 V
• Nominal motor power at AC 400 V:	7.5 kW
• Control input X1/X2	
• Width:	67.5 mm

Variants	
BI 9028.38/_ _1:	volt free contacts for start and stop X1, X2, X3, X4
BI 9028.38/_1_:	input P ₁ / P ₂ / P ₃ to monitor the motor temperature
BI 9028.38/8_ _:	Softstop function instead of brake
BI 9028.38/_ _2:	volt free control unit on terminals Q1/Q2
BI 9028.38/5_ _:	softstart and brake function switching via control input X1, X3

Ordering example for variants:

BI 9028.38	/	3 AC 200 ... 480 V	50/60 Hz	11 kW
Type				

Control Input

With BI 9028 softstart begins by closing switch S and braking starts when opening switch S. When closing S during braking, softstart begins again.

With BI 9028/0_1 softstart begins by pressing the "Start" button (X1). By actuating the "Stop" button (X3) braking is started. Pressing the "Start" button during braking activates the softstart again. If "Start" and "Stop" are activated simultaneously within 0.1 s the stop function has priority.

On BI 9028/_ _2 softstarts begins when closing the contact on Q1/Q2. By opening this contact braking or softstop is started. If Q1/Q2 is permanently closed softstart is started when applying the mains voltage on L1/L2/L3. Start of braking or softstop can only be started by opening Q1/Q2.

With BI9028/5_ _ softstat begins with activation of input X1. The motor is connected to voltage until the signal is disconnected from the control input. With the signal on control input X3 the braking cycle is started (DC-brake) The braking cycle is finished when the signal on X3 is disconnected or on BI 9028/511 latest 60 seconds after start of the braking cycle the user has to make sure that only one control input is active.

Adjustment Facilities

Potentiometer	Description	Initial setting
M_{on}	Starting voltage	fully anti-clockwise
t_{on}	Ramp-up time	fully clockwise
I_{Br}	Braking current	fully anti-clockwise
t_{Br}	Braking time	fully clockwise
M_{off}	Deceleration voltage time	fully anti-clockwise
t_{off}	Deceleration time	fully clockwise

Set-up Procedure

Softstart:

1. Start the motor via control input X1/X2 and turn potentiometer " M_{on} " up until the motor starts to turn without excessive humming.
2. Adjust potentiometer " t_{on} " to give desired ramp time.
3. On correct setting the motor should accelerate up to nominal speed.
If the start takes too long fuses may blow, especially on motors with high inertia.

- **Attention:** If the ramp-up time is adjusted to short, the internal bridging contact closes before the motor is on full speed. This may damage the bridging contactor or bridging relay.



Softstop:

- During softstop the device has to be connected to the voltage.
- Select softstop by opening control input X1/X2; Q1/Q2
- Turn potentiometer M_{off} to the left, until the motor starts visibly to slow down at the initiation of the softstop cycle.
- Adjust t_{off} until the required stopping time is achieved.

Braking:

The braking time t_{Br} and the braking current I_{Br} (max. $2 I_N$ with star connected and max. $2.8 I_N$ with delta connected motors, do not exceed max. permissible braking current!) is adjusted on BI 9028. The time has to be adjusted in a way that the current is flowing until the motor is on standstill.

To avoid overload of braking device and motor, the braking current should be checked with a moving iron instrument (see connection diagram).

The procedure für BI 9028/001 is the same.

Temperature Monitoring

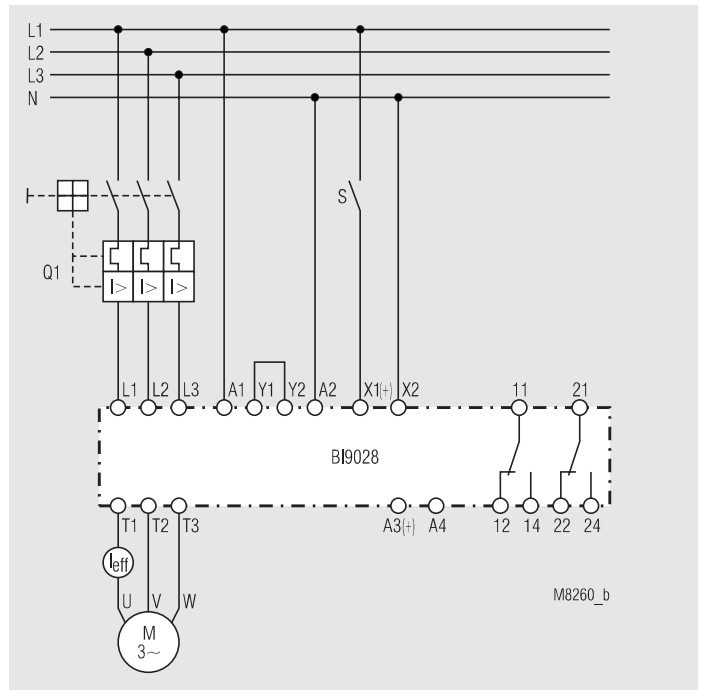
BI 9028 features overtemperature monitoring of its internal power semiconductors. The unit is therefore protected against overheating during the set up procedure. BI 9028 can be reset after the semiconductors have cooled down by momentarily removing the auxiliary supply voltage.

Safety Notes

- Never clear a fault when the device is switched on.
- **Attention:** This device can be started by potential-free contact, while connected directly to the mains without contactor (see application example). Please note, that even if the motor is at rest, it is not physically separated from the mains. Because of this the motor **must** be disconnected from the mains via the corresponding manual motor starter.
- The user must ensure that the device and the necessary components are mounted and connected according to the locally applicable regulations and technical standards.
- Adjustments may only be carried out by qualified specialist staff and the applicable safety rules must be observed.

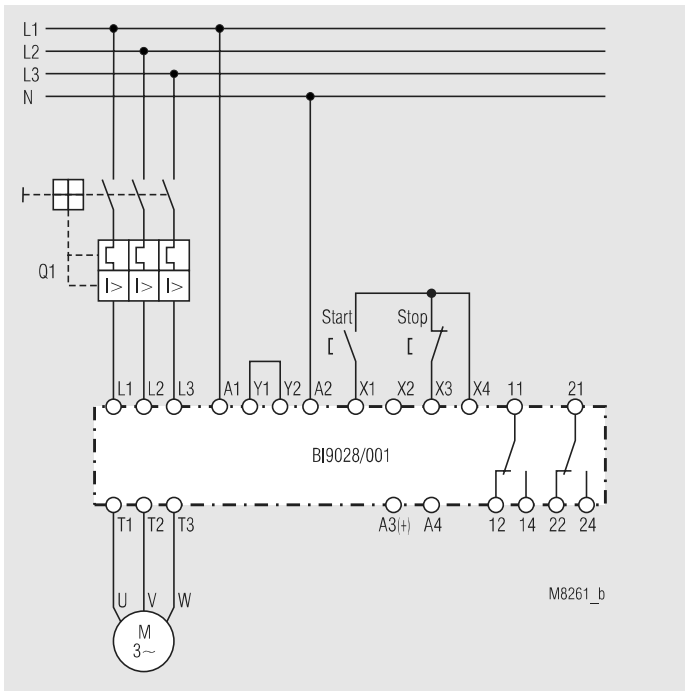


Connection Example

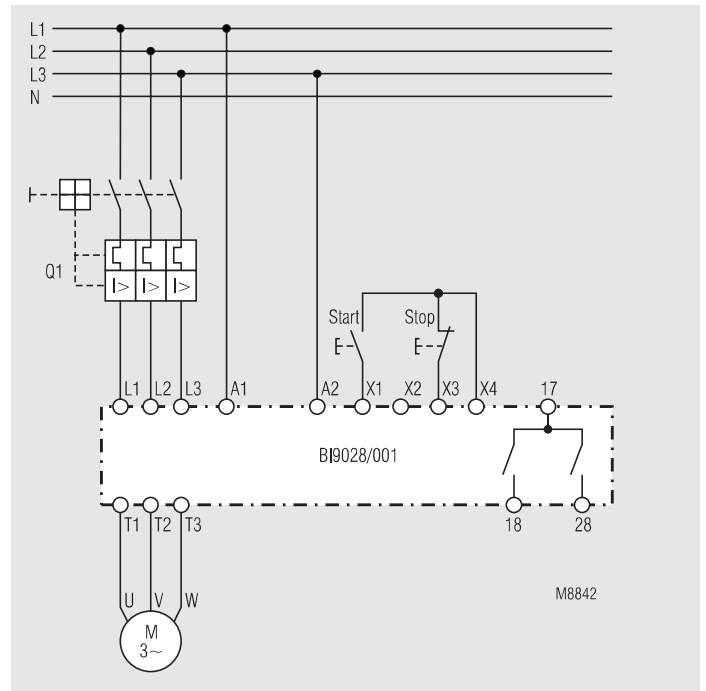


BI 9028 softstart and brake function with switch S

Connection Examples

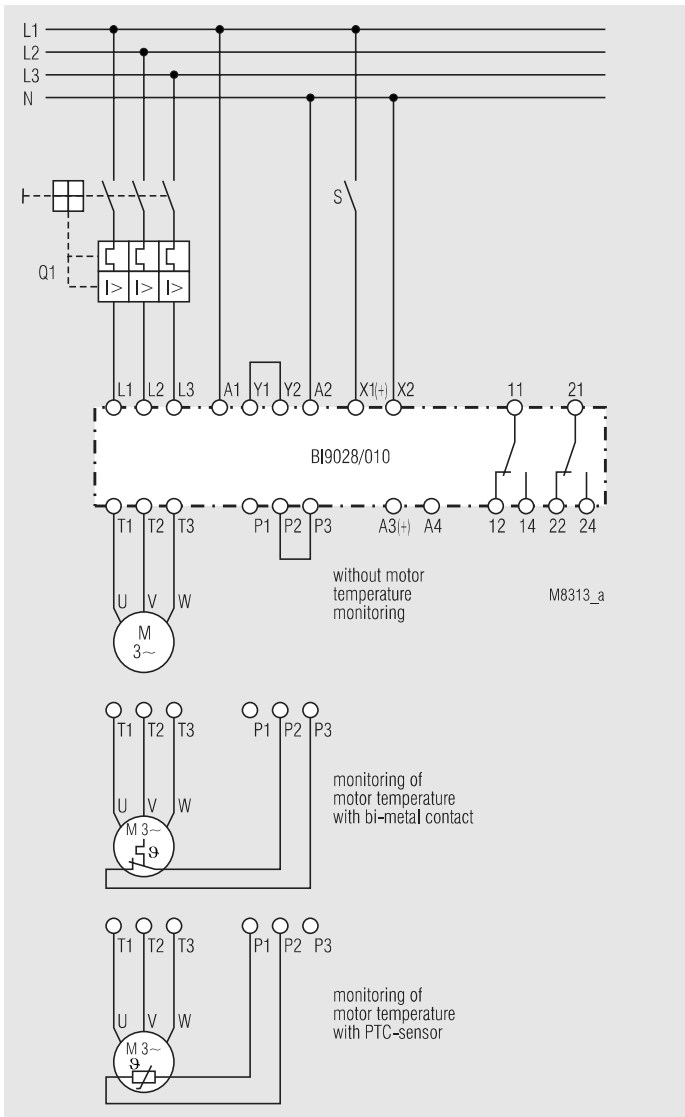


BI 9028/001 softstart with start-button, brake function with stop-button

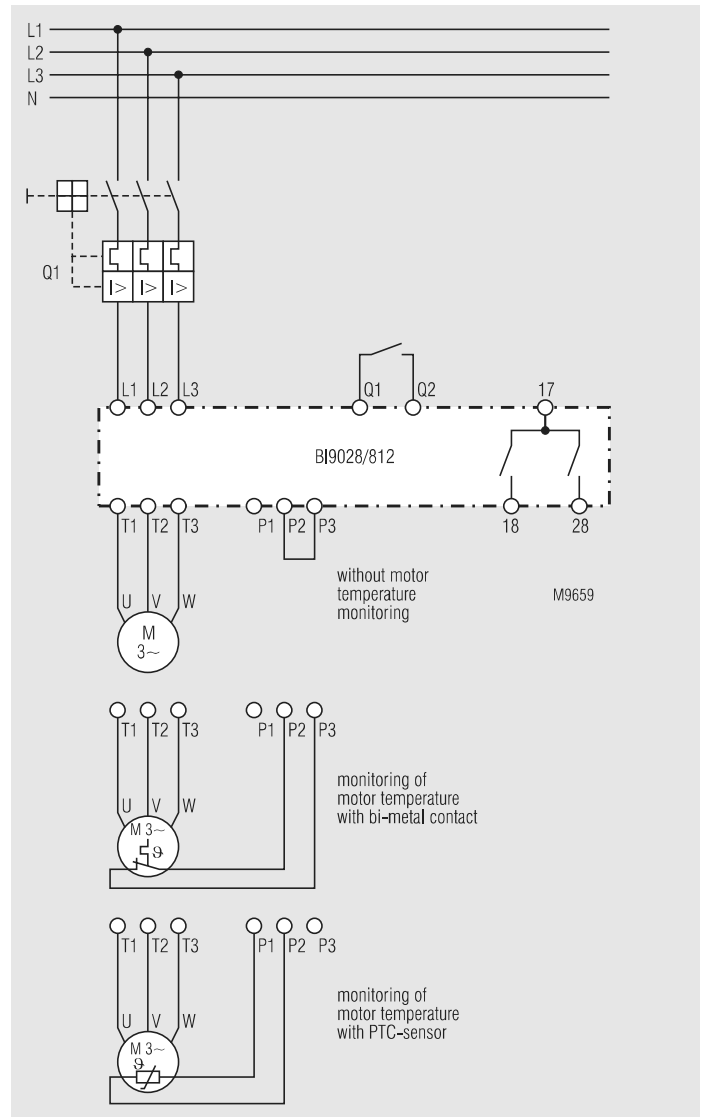


BI 9028/001, $U_H = AC 400 V$

Connection Examples

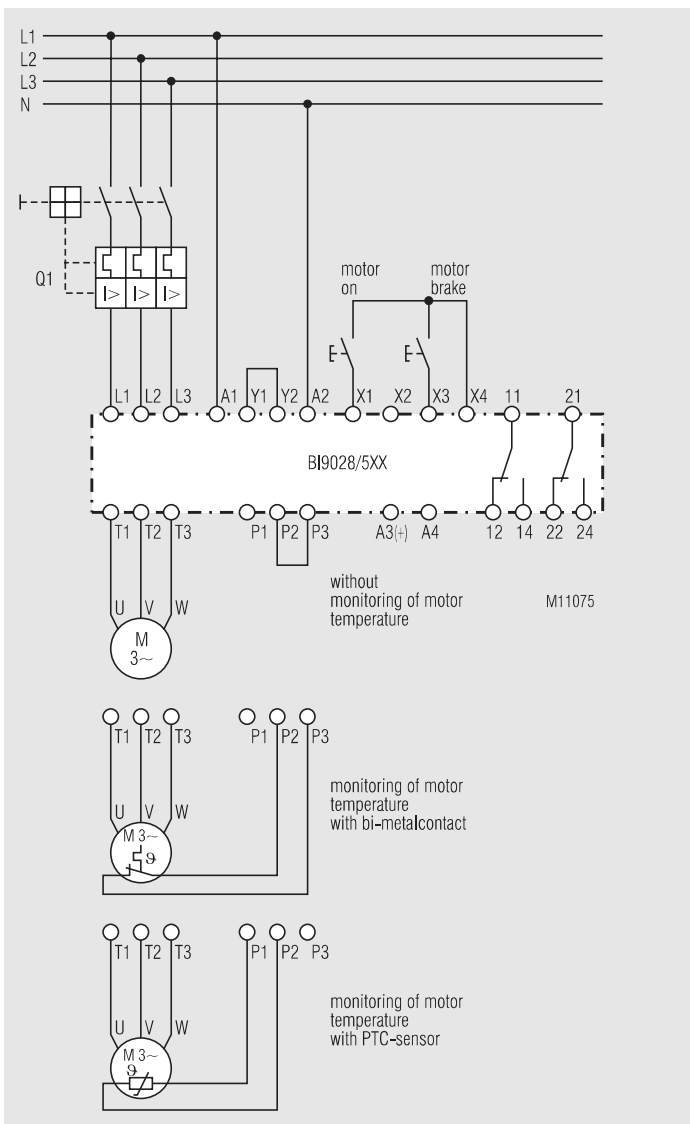


BI 9028/010 softstart and brake function with motor temperature monitoring

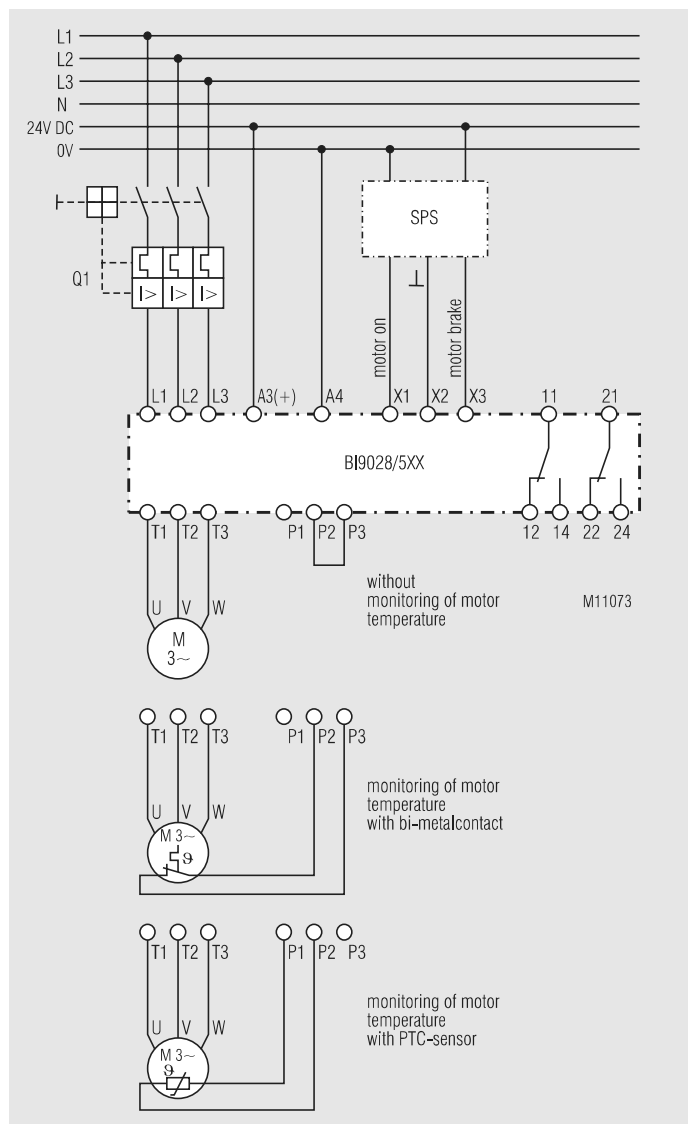


BI 9028/812 softstart - softstop with monitoring of motor temperature without auxiliary voltage.

Connection Examples



BI 9028/5_ _softstart and brake function switching via separate control inputs, auxiliary voltage $U_H = AC\ 230\ V$



BI 9028/5_ _softstart and brake function switching via separate control inputs, auxiliary voltage $U_H = DC\ 24\ V$